



HYC-1031GD (115V)



Eco-friendly
Hydrocarbon Refrigerant



Energy Consumption



Temperature Uniformity

Pharmacy Refrigerator

Scope of Application

Used for storage of medicines, vaccines, reagents, biological products and other items that require a temperature between 2-8°C in hospitals, pharmacies, pharmaceutical factories, clinics and laboratories etc.

Innovative Design

- High performance with low noise level
- Eco-friendly and energy saving
- Condensation free even at ambient 32°C & 80% RH
- Convenient monitoring and data export



Product Features



Eco-friendly hydrocarbon refrigerant (R290) and CFC- free polyurethane insulation for reduced global warming potential



Hermetically sealed compressor, forced-air circulation with auto defrost to ensure high cooling performance, temperature uniformity $\pm 1.5^{\circ}\text{C}$; anti-freezing thermostat is available to protect store items from freezing



Triple-paned tempered glass door with frame heater to reduce condensation even at 32°C , 80% RH ambient; self-closing door hinge; magnetic gaskets to ensure a positive seal



Energy efficient interior LED lighting, side-mounted



Optional USB module to easily record and export cabinet temperature and alarm data; optional RS485 port for easily external connection; optional printer to easily export cabinet temp data



Two 25mm probe access port on each side wall to accept user-provided monitoring equipment



Multiple alarm functions for safer monitoring, audible/visual alert with mute function; remote alarm contact is quipped as standard



Convenient security with a top-mounted unique-key lock



4 swivel casters with 2 leveling feet for easy movement



Microprocessor controller, digital display with 0.1°C resolution; easy to check the min/max temperature in the past 24 hours

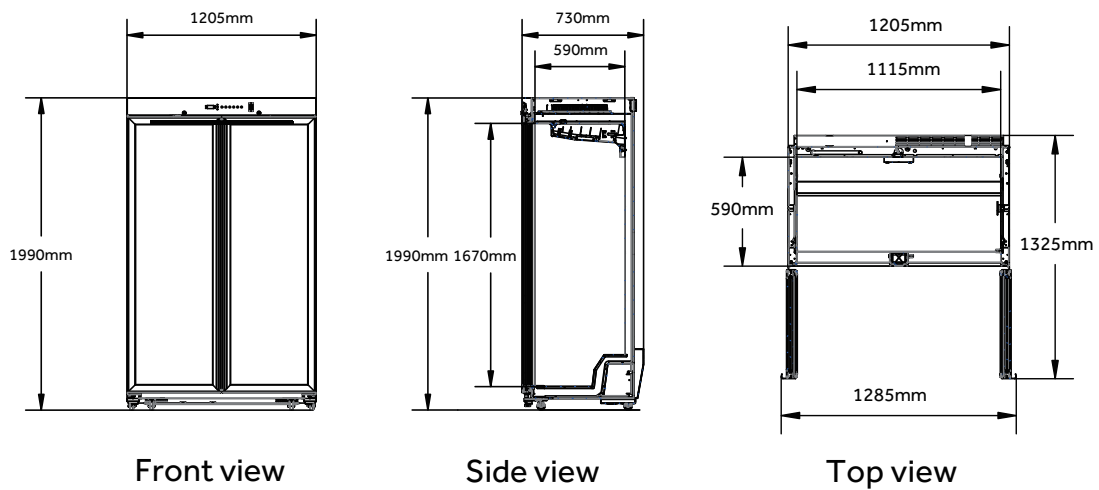


Adjustable plastic-coated wire shelves for improved circulation and flexible storage

Product Details



Product Dimension



Specifications



	Model		HYC-1031GD
Technical Data	Cabinet Type		Upright, Glass Door
	Climate Class		N, 16-32°C
	Cooling Type		Forced Air Cooling
	Defrost Mode		Auto
	Refrigerant		R290
	Sound Level (dB(A))		39
Performance	Temperature Range (°C)		2-8
Control	Controller		Microprocessor
	Display		LED
Electrical Data	Power Supply (V/Hz)		115/60
	Electrical Current (A)		3.6
Dimensions	Capacity (L/Cu.Ft)		1031 / 36.4
	Net/Gross Weight (approx)	(kg)	255/265
		(lbs)	562/584
	Interior Dimensions (W*D*H)	(mm)	1115*590*1670
		(in)	43.9*23.2*65.7
	Exterior Dimensions (W*D*H)	(mm)	1205*800*1990
		(in)	47.4*31.5*78.3
	Packing Dimensions (W*D*H)	(mm)	1310*925*2150
(in)		51.6*36.4*84.6	
Container Load (20'/40'/40'H)		10/21/21	
Alarms	High/Low Temperature		Y
	High Ambient Temperature		Y
	Door Ajar		Y
	Power Failure		Y
	Low Battery		Y
	Sensor Error		Y
	Communication Failure		Y
	Condenser Heat		Y
	Remote Alarm		Y
Accessories	Caster		4
	Foot		2
	Porthole		2
	Shelves/Drawers		14/-
	Printer		Optional
	Chart Recorder		N/A
	USB Interface		Optional
	RS485		Optional
	Electromagnetic Lock		N/A
	Plastic Basket		Optional
Others	Certification		UL, Energy Star